



Overview: model classes **FX-PEGASUS-90**, **FX-CLASSIC-90** and **FX-DISPLAY-30**

Safe and approved storage of flammable liquids and further hazardous substances



Safety for employees

- avoidance of explosive atmospheres
- extraction and filtering of vapours that are harmful to health

Flexibility³

Flexibility³

- flexibility in the choice of the place of installation
- flexibility in the storage of different hazardous materials
- flexibility in the choice of the appropriate interior equipment



Multifunctional

- the FX-LINE recirculating air filter storage cabinets enable the common storage, extraction and filtration of the most diverse hazardous materials in one cabinet

Further features of this model class



Electronic monitoring

- filter saturation by solvent vapours (hydrocarbons)
- air recirculation rate (exhaust air quantity)
- service intervals
- scheduling for the manual filter saturation check



Modern bicolour system

- the new recirculating air filter storage cabinets bring colour to your workplace
- body in modern Anthracite grey
- cabinet doors available in Traffic red, Warning yellow or Light grey



Eco-friendly

- long filter lifetimes
- environmentally and customer-friendly reusable filter system

Possible interior equipment



- **metal-free interior equipment** for the storage of aggressive hazardous materials
- as standard with removable **plastic sump**



- **drawers** with high storage volumes, ideal for storing small containers



- **height-adjustable shelves** in different versions



- **bottom collecting sump** – safe collection of leakages
- usable as storage level in conjunction with perforated insert



Recirculating air filter storage cabinets for the storage of different hazardous substances



• **fire resistance of 90 minutes** (type 90), type-tested in accordance with EN 14470-1



• **fire resistance of 30 minutes** (type 30), type-tested in accordance with EN 14470-1



• **GS approval** of the safety storage cabinet in accordance with EN 14470-1 and the laboratory furniture standard EN 14727



• **excellent products with special manufacturer warranty**
 • extended **manufacturer warranty of up to 5 years** in combination with an asecos service tariff

• VDE approval **of the monitoring electronics**



• **effectiveness confirmed** by extensive testing in collaboration with the accredited test center for hazardous materials **infraseriv Höchst Co.**
 • summary of the test report available on request



FX-SLX



Safe and approved storage of flammable liquids and further hazardous substances

Function / construction:

Cabinet body

- **robust construction and longevity:** triple hinged door, safety elements assembled outside the storage compartment for increased protection against corrosion, scratch- and impact-resistant surface, easy to clean
- **effortless use:** one-hand operation for double-door cabinets (AGT)
- **user-friendly and safe:** door open arrest system (standard), convenient and safe removal or storage of containers
- **always closed:** serial automatic door closing (TSA) releases arrested doors after approx. 60 seconds; acoustic and visual signal before closing
- **no unauthorised use:** doors lockable with cylinder locking (integration in an existing locking system possible) and locking state indicator (red/green)

- **easy transport:** integrated transport base with removable, optional base cover
- **easy alignment:** adjusting aids to compensate for uneven floor

Recirculating air filter system

- ideal for the direct installation in working areas – very low noise, only approx. 39 dB (A)
- with multi-stage wideband filter
- VDE approved monitoring electronics (extraction and filter monitoring) incl. cool-device cable
- optical and acoustical alarm including potential-free alarm contact
- display with innovative touch panel
- ATEX compliant: **CE** II 3/-G Ex ic nA IIB T4 Gc

Recirculating air filter storage cabinet

FX-PEGASUS-90 model FX90.229.120.WDAC

Body colour Anthracite grey (RAL 7016), with wing doors in Traffic red (RAL 3020), interior equipment with 3 x shelf, 1 x perforated insert, 1 x bottom collecting sump (sheet steel powder-coated)

Order No. 32905-046-33635

(base cover optional)



Available equipment

- shelves with load capacity of 75 kg
- tray shelves with load capacity of 150 kg
- perforated insert useable as storage area
- bottom collecting sump
- drawers – high storage capacity, optimal use of the available storage capacities
- drawers heavy-duty with load capacity of 100 kg
- metal-free tray shelves and collecting sumps
- storage box
- sump inliner (PE or PP)



Reusable filter system

Multistage, high-capacity and robust broad band-pass filter, environmentally friendly due to long service lifetimes and filter recycling



Easy operation

Monitoring electronics with state-of-the-art 4.7" graphic display incl. touch panel, displays all essential monitoring-details



Metal-free interior equipment

Ideal for the storage of flammable, aggressive hazardous substances. Tray shelves with chemical resistant surface lamination and removeable plastic sump, bottom collecting plastic sump.



Manual test device

Easy monitoring of the filter saturation when storing inorganic substances



Recirculating air filter storage cabinet

FX-PEGASUS-90 model FX90.229.120.WDAC

Body colour Anthracite grey (RAL 7016), with wing doors in Light grey (RAL 7035), interior equipment with 6 x drawer (sheet steel powder-coated)

Order No. 32905-041-33649

(base cover optional)

Recirculating air filter storage cabinet

FX-PEGASUS-90 model FX90.229.120.WDAC

Body colour Anthracite grey (RAL 7016), with wing doors in Warning yellow (RAL 1004), interior equipment with 4 x drawer (sheet steel powder-coated)

Order No. 32905-040-33647

(base cover optional)

3 door colours are available at no extra cost:



Model

FX90.229.120.WDAC without interior equipment

Order No.

32905



Body colour

Anthracite grey RAL 7016
 Anthracite grey RAL 7016
 Anthracite grey RAL 7016

Door colour

Warning yellow RAL 1004
 Light grey RAL 7035
 Traffic red RAL 3020

Order No.

040
 041
 046



Interior equipment packages (can only be ordered in combination with the cabinet)

Material

Order No.

		old code	new code
3x shelf, 1x perforated insert, 1x bottom collecting sump (V=33.0L)	sheet steel powder-coated RAL 7035	30003	33635
4x shelf, 1x perforated insert, 1x bottom collecting sump (V=33.0L)	sheet steel powder-coated RAL 7035	30004	33636
3x shelf, 1x bottom collecting sump (V=33.0L)	sheet steel powder-coated RAL 7035	30005	33637
4x shelf, 1x bottom collecting sump (V=33.0L)	sheet steel powder-coated RAL 7035	30006	33638
3x tray shelf (V=33.0L), 1x perforated insert, 1x bottom collecting sump (V=55.5L)	sheet steel powder-coated RAL 7035	30007	33640
3x shelf, 1x perforated insert, 1x bottom collecting sump (V=33.0L)	stainless steel	30008	33642
4x shelf, 1x perforated insert, 1x bottom collecting sump (V=33.0L)	stainless steel	30009	33643
3x shelf, 1x bottom collecting sump (V=33.0L)	stainless steel	30010	33644
4x shelf, 1x bottom collecting sump (V=33.0L)	stainless steel	30011	33645
3x tray shelf (V=33.0L), 1x bottom collecting sump (V=33.0L)	PP grey	HIGHLIGHT 30013	30013
4x tray shelf (V=33.0L), 1x bottom collecting sump (V=33.0L)	PP grey	HIGHLIGHT 30014	30014
4x drawer (V=30.0L)	sheet steel powder-coated RAL 7035	30015	33647
5x drawer (V=30.0L)	sheet steel powder-coated RAL 7035	30016	33648
6x drawer (V=30.0L)	sheet steel powder-coated RAL 7035	30017	33649
4x drawer (V=30.0L)	stainless steel	30018	33651
5x drawer (V=30.0L)	stainless steel	30019	33652
6x drawer (V=30.0L)	stainless steel	30020	33653

AVAILABLE from the first quarter of 2016

Order example - how to order correctly



FX-SLX



Individual configuration of model FX90.229.120.WDAC

Model	Information / equipment	W x D x H (mm)	Order No.
FX90.229.120.WDAC	without interior equipment	1193 x 615 x 2294	32905

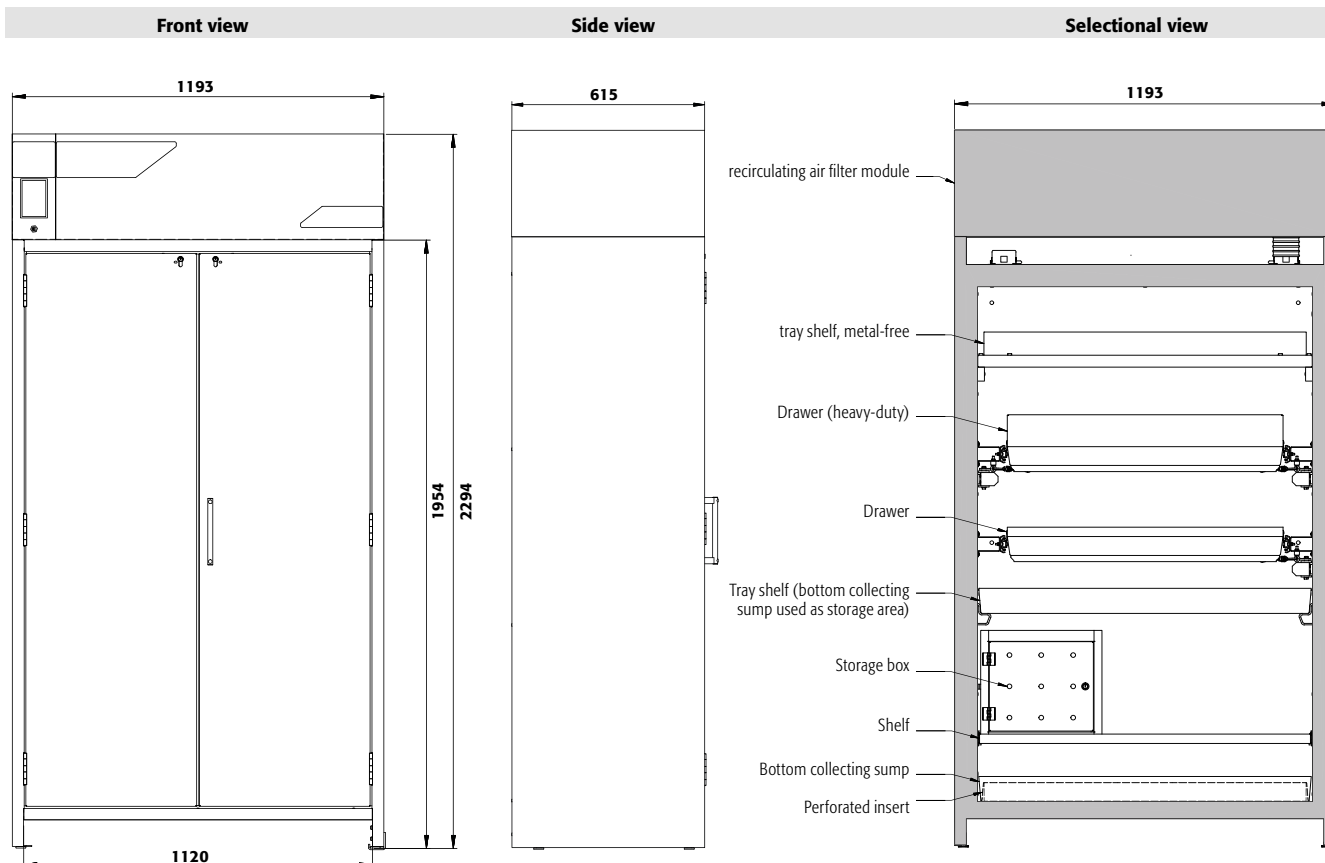
Body colour	Door colour	Order No.
Anthracite grey RAL 7016	Warning yellow RAL 1004	040
Anthracite grey RAL 7016	Light grey RAL 7035	041
Anthracite grey RAL 7016	Traffic red RAL 3020	046

Interior equipment	Material	W x D x H (mm)	1)	2)	3)	Order No.
shelf	sheet steel powder-coated RAL 7035	1040 x 432 x 30*	75.00			old code 30021
	stainless steel	1038 x 425 x 29*	75.00			new code 30024
tray shelf	sheet steel powder-coated RAL 7035	1025 x 445 x 71*	150.00	33.00	30.00	30028
	stainless steel	1025 x 445 x 71*	150.00	33.00	30.00	30064
tray shelf, metal-free	PP grey	1002 x 472 x 74*	50.00	33.00	30.00	30027
perforated insert	sheet steel powder-coated RAL 7035	1024 x 417 x 60	75.00			5536
	stainless steel	1024 x 417 x 60	75.00			5773
perforated insert, height = 135 mm	sheet steel powder-coated RAL 7035	1024 x 417 x 135	135.00			14084
bottom collecting sump	sheet steel powder-coated RAL 7035	1024 x 489 x 86*		33.00	30.00	30022
	stainless steel	1024 x 489 x 86*	150.00	33.00	30.00	30025
bottom collecting sump, V = 55,5 ltr.	sheet steel powder-coated RAL 7035	1017 x 482 x 127*		55.50	50.45	30023
	stainless steel	1018 x 438 x 120*		55.50	50.00	30026
bottom collecting sump, metal-free	PP grey	1002 x 472 x 74*		33.00	30.00	26989
drawer	sheet steel powder-coated RAL 7035	844 x 488 x 90*	60.00	30.00	2727	30013
	stainless steel	844 x 488 x 90*	60.00	30.00	2727	30033
drawer (heavy-duty)	sheet steel powder-coated RAL 7035	843 x 487 x 162*	100.00	66.00		30032
	stainless steel	843 x 487 x 162*	100.00	66.00		30034
storage box, left hinged	sheet steel powder-coated RAL 7035	380 x 420 x 360				30029
storage box, right hinged	sheet steel powder-coated RAL 7035	380 x 420 x 360				30030
sump inliner, for shelf	polyethylene black	1000 x 392 x 50*				7223
sump inliner, for drawer	PP grey	834 x 450 x 96*				10054
anti-slip rubber mat, for drawer	black	840 x 490 x 1				8699
pipe lead-through	sheet steel powder-coated RAL 7035	182 x 104 x 48				30035
base cover	sheet steel powder-coated textured RAL 7016	1118 x 35 x 85				30036
Q-mover, 2 pieces	steel powder-coated textured RAL 7016	600 x 140 x 130	450.00			30037
box for chemicals	PP blue	410 x 300 x 260		18.00	16.36	30038
document holder, DIN A5	polystyrene					30793

* usable storage space W x D (mm)
 1) load capacity (kg), 2) retention capacity (ltr), 3) maximum container volume in the cabinet (ltr)

Activated carbon replacement filter
 with multistage filter system
Order No. 32950





Technical data

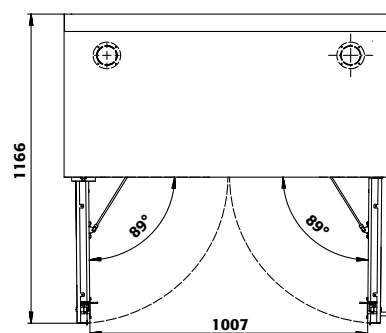
External dimensions W x D x H	mm	1193 x 615 x 2294
Internal dimensions W x D x H	mm	1050 x 522 x 1647
Weight without interior equip.	kg	459
Distributed load	kg/m ²	546
Maximum load	kg	600
Frequency	Hz	50
Nominal voltage	V	230
Max. current consumption	A	0.5
Power consump. in operation	W	120
Power consump. in standby mode	W	50

Transport base

Entry height transport base	mm	90
Entry width transport base	mm	1120

FX90.229.120.WDAC

Top view



FX90.229.120.WDAC

Drawers/number	9	8	7	6	5	4+1	4	3	2
Distance ⑨ (mm)	150								
Distance ⑧ (mm)	135	150							
Distance ⑦ (mm)	135	170	185						
Distance ⑥ (mm)	135	170	200	250					
Distance ⑤ (mm)	135	170	200	230	250	250			
Distance ④ (mm)	135	170	200	230	295	230	345		
Distance ③ (mm)	135	170	200	230	295	230	360	440	
Distance ② (mm)	170	170	200	230	295	230	360	520	890
Distance ① (mm)	200	200	200	230	295	490	390	520	615

Standard storage heights of the drawers

FX90.229.120.WDAC

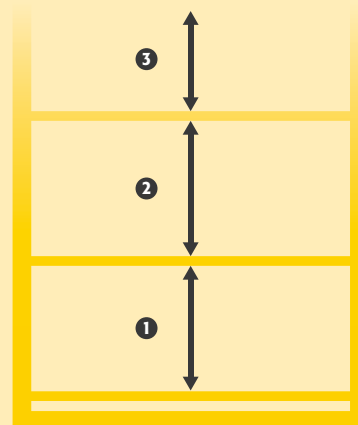
Shelves/number	4	3
Distance ④ (mm)	320	
Distance ③ (mm)	350	420
Distance ② (mm)	350	450
Distance ① (mm)	290	380

Standard storage heights of the shelves

FX90.229.120.WDAC

Quantity	Type of container	Container size
90	Aerosol cans	400 ml
40	Cans	1 litre
40	Laboratory glass bottles	1 litre
40	Laboratory PE-bottles	1 litre
15	Laboratory glass bottles	2.5 litres

Storage capacities per drawer/type of container



FX-SLX



Safe and approved storage of flammable liquids and further hazardous substances

Function / construction:

Cabinet body

- **robust construction and longevity:** triple hinged door, safety elements assembled outside the storage compartment for increased protection against corrosion, scratch- and impact-resistant surface, easy to clean
- **effortless use:** one-hand operation for double-door cabinets (AGT)
- **user-friendly and safe:** door open arrest system (standard), convenient and safe removal or storage of containers
- **always closed:** serial automatic door closing (TSA) releases arrested doors after approx. 60 seconds; acoustic and visual signal before closing
- **no unauthorised use:** doors lockable with cylinder locking (integration in an existing locking system possible) and locking state indicator (red/green)

- **easy transport:** integrated transport base with removable, optional base cover
- **easy alignment:** adjusting aids to compensate for uneven floor

Recirculating air filter system

- ideal for the direct installation in working areas – very low noise, only approx. 39 dB (A)
- with multi-stage wideband filter
- VDE approved monitoring electronics (extraction and filter monitoring) incl. cool-device cable
- optical and acoustical alarm including potential-free alarm contact
- display with innovative touch panel
- ATEX compliant: **CE** II 3/-G Ex ic nA IIB T4 Gc

Recirculating air filter storage cabinet

FX-PEGASUS-90 model FX90.229.090.WDAC

Body colour Anthracite grey (RAL 7016), with wing doors in Traffic red (RAL 3020), interior equipment with 3 x shelf, 1 x perforated insert, 1 x bottom collecting sump (sheet steel powder-coated)

Order No. 32910-046-33622

(base cover optional)



Available equipment

- shelves with load capacity of 75 kg
- tray shelves with load capacity of 150 kg
- perforated insert useable as storage area
- bottom collecting sump
- drawers – high storage capacity, optimal use of the available storage capacities
- drawers heavy-duty with load capacity of 100 kg
- metal-free tray shelves and collecting sumps
- storage box
- sump inliner (PE or PP)



Reusable filter system

Multistage, high-capacity and robust broad band-pass filter, environmentally friendly due to long service lifetimes and filter recycling



Easy operation

Monitoring electronics with state-of-the-art 4.7" graphic display incl. touch panel, displays all essential monitoring-details



Extraction and filtration

Filtration of solvent vapours (hydrocarbons) as well as inorganic and organic hazardous materials



Manual test device

Easy monitoring of the filter saturation when storing inorganic substances



Recirculating air filter storage cabinet

FX-PEGASUS-90 model FX90.229.090.WDAC

Body colour Anthracite grey (RAL 7016), with wing doors in Light grey (RAL 7035), interior equipment with 4 x drawer (sheet steel powder-coated)

Order No. 32910-041-33627

(base cover optional)

Recirculating air filter storage cabinet

FX-PEGASUS-90 model FX90.229.090.WDAC

Body colour Anthracite grey (RAL 7016), with wing doors in Warning yellow (RAL 1004), interior equipment with 6 x drawer (sheet steel powder-coated)

Order No. 32910-040-33629

(base cover optional)

3 door colours are available **at no extra cost:**



AVAILABLE from the first quarter of 2016

Order example - how to order correctly



Model	Information / equipment	Order No.
FX90.229.090.WDAC	without interior equipment	32910

Body colour	Door colour	Order No.
Anthracite grey RAL 7016	Warning yellow RAL 1004	040
Anthracite grey RAL 7016	Light grey RAL 7035	041
Anthracite grey RAL 7016	Traffic red RAL 3020	046

Interior equipment packages (can only be ordered in combination with the cabinet)	Material	Order No.
3x shelf, 1x perforated insert, 1x bottom collecting sump (V=22.0L)	sheet steel powder-coated RAL 7035	old code 30043 new code 33622
4x shelf, 1x perforated insert, 1x bottom collecting sump (V=22.0L)	sheet steel powder-coated RAL 7035	30044 33623
3x shelf, 1x bottom collecting sump (V=22.0L)	sheet steel powder-coated RAL 7035	30045 33624
4x shelf, 1x bottom collecting sump (V=22.0L)	sheet steel powder-coated RAL 7035	30046 33625
3x shelf, 1x perforated insert, 1x bottom collecting sump (V=22.0L)	stainless steel	30047 30047
4x shelf, 1x perforated insert, 1x bottom collecting sump (V=22.0L)	stainless steel	30048 30048
3x shelf, 1x bottom collecting sump (V=22.0L)	stainless steel	30049 30049
4x shelf, 1x bottom collecting sump (V=22.0L)	stainless steel	30050 30050
3x tray shelf (V=22.0L), 1x bottom collecting sump (V=22.0L)	PP grey	HIGHLIGHT 30051 30051
4x tray shelf (V=22.0L), 1x bottom collecting sump (V=22.0L)	PP grey	HIGHLIGHT 30052 30052
4x drawer (V=19.0L)	sheet steel powder-coated RAL 7035	30053 33627
5x drawer (V=19.0L)	sheet steel powder-coated RAL 7035	30054 33628
6x drawer (V=19.0L)	sheet steel powder-coated RAL 7035	30055 33629
4x drawer (V=19.0L)	stainless steel	30056 33631
5x drawer (V=19.0L)	stainless steel	30057 33632
6x drawer (V=19.0L)	stainless steel	30058 33633

FX-SLX



Individual configuration of model **FX90.229.090.WDAC**

Model	Information / equipment	W x D x H (mm)	Order No.
FX90.229.090.WDAC	without interior equipment	893 x 615 x 2294	32910

Body colour	Door colour	Order No.
Anthracite grey RAL 7016	Traffic red RAL 3020	046
Anthracite grey RAL 7016	Warning yellow RAL 1004	040
Anthracite grey RAL 7016	Light grey RAL 7035	041

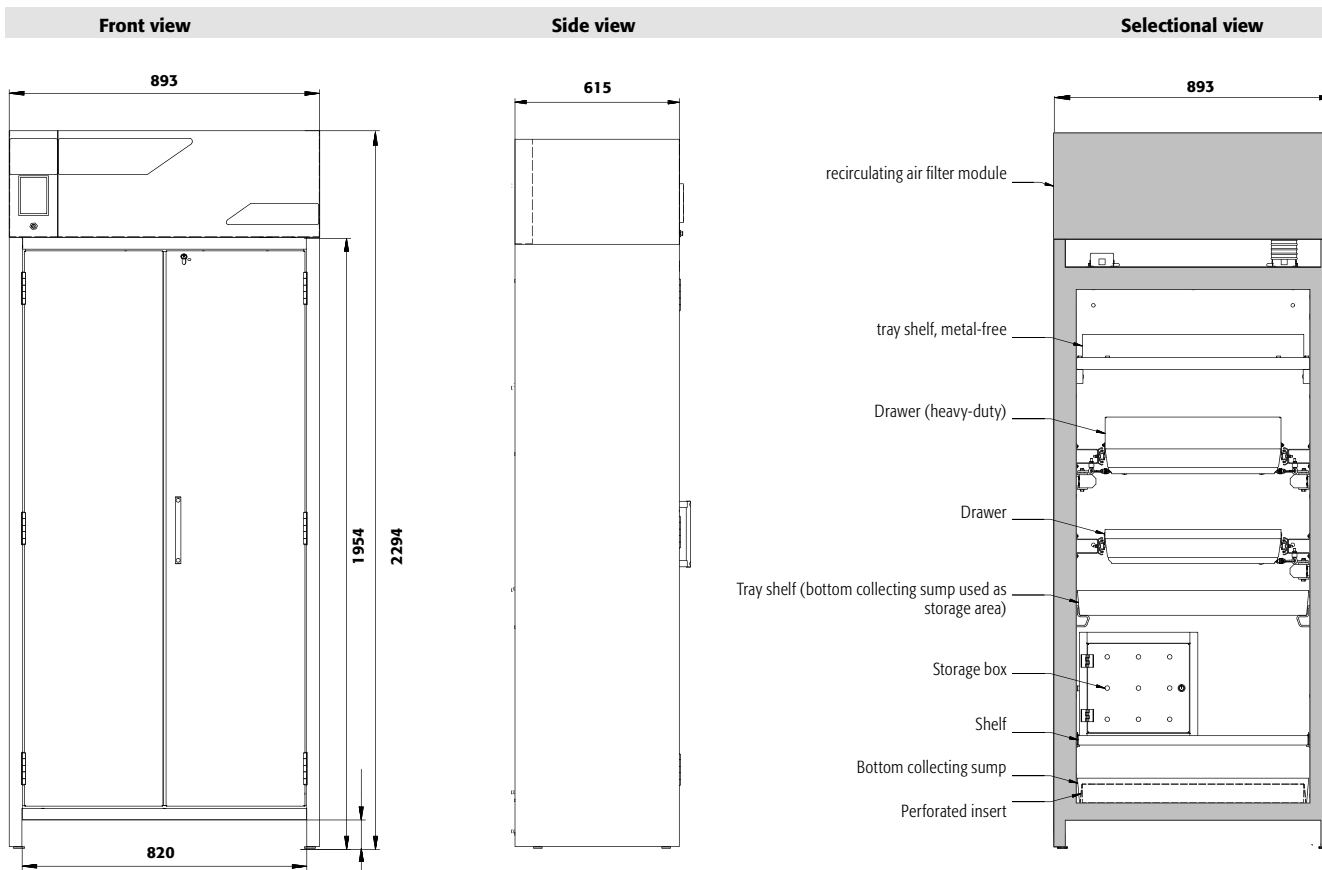
Interior equipment	Material	W x D x H (mm)	1)	2)	3)	Order No.
						old code new code
	shelf	sheet steel powder-coated RAL 7035	740 x 432 x 30*	75.00		30059 30059
		stainless steel	740 x 432 x 30*	75.00		30061 30061
	tray shelf, metal-free	PP grey	702 x 472 x 74*	50.00	23.00 20.91	30063 30063
	perforated insert	sheet steel powder-coated RAL 7035	742 x 417 x 70	75.00		11165 11165
		stainless steel	742 x 417 x 70	75.00		11168 11168
	bottom collecting sump	sheet steel powder-coated RAL 7035	724 x 489 x 83*		22.00 20.00	30060 33621
		stainless steel	724 x 489 x 83*		23.00 20.91	30062 30062
	bottom collecting sump, metal-free	PP grey	702 x 472 x 74*		23.00 20.91	26990 26990
	drawer	sheet steel powder-coated RAL 7035	544 x 488 x 90*	60.00	19.00 17.27	30065 33626
		stainless steel	544 x 488 x 90*	60.00	19.00 17.27	30067 33630
	drawer (heavy-duty)	sheet steel powder-coated RAL 7035	543 x 487 x 162*	100.00	45.00	30066 30066
		stainless steel	543 x 487 x 162*	100.00	45.00	30068 30068
	storage box, left hinged	sheet steel powder-coated RAL 7035	380 x 420 x 360			30029 30029
		stainless steel	380 x 420 x 360			30030 30030
	storage box, right hinged	sheet steel powder-coated RAL 7035	380 x 420 x 360			30030 30030
		stainless steel	380 x 420 x 360			30030 30030
	sump inliner, for drawer	polyethylene white	536 x 480 x 90*		22.00 20.00	27948 27948
	sump inliner, for shelf	PP grey	653 x 406 x 88*			9707 9707
	anti-slip rubber mat, for drawer	black	540 x 490 x 1			15653 15653
	pipe lead-through	sheet steel powder-coated RAL 7035	182 x 104 x 48			30035 30035
	base cover	sheet steel powder-coated textured RAL 7016	818 x 35 x 85			30069 30069
	Q-mover, 2 pieces	steel powder-coated textured RAL 7016	600 x 140 x 130	450.00		30037 30037
	box for chemicals	PP blue	410 x 300 x 260		18.00 16.36	30038 30038
		polystyrene	410 x 300 x 260			30793 30793

* usable storage space W x D (mm)

1) load capacity (kg), 2) retention capacity (ltr), 3) maximum container volume in the cabinet (ltr)

Activated carbon replacement filter
with multistage filter system
Order No. 32950





Technical data

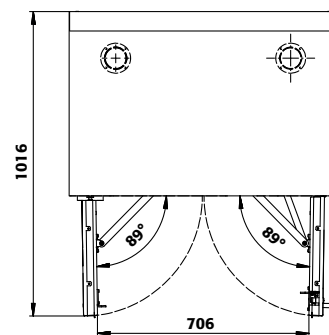
External dimensions W x D x H	mm	893 x 615 x 2294
Internal dimensions W x D x H	mm	750 x 522 x 1647
Weight without interior equip.	kg	370
Distributed load	kg/m ²	667
Maximum load	kg	600
Frequency	Hz	50
Nominal voltage	V	230
Max. current consumption	A	0.5
Power consump. in operation	W	120
Power consump. in standby mode	W	50

Transport base

Entry height transport base	mm	90
Entry width transport base	mm	820

FX90.229.090.WDAC

Top view



FX90.229.090.WDAC

Drawers/number	9	8	7	6	5	4+1	4	3	2
Distance ⑨ (mm)	150								
Distance ⑧ (mm)	135	150							
Distance ⑦ (mm)	135	170	185						
Distance ⑥ (mm)	135	170	200	250					
Distance ⑤ (mm)	135	170	200	230	250	250			
Distance ④ (mm)	135	170	200	230	295	230	345		
Distance ③ (mm)	135	170	200	230	295	230	360	440	
Distance ② (mm)	170	170	200	230	295	230	360	520	890
Distance ① (mm)	200	200	200	230	295	490	390	520	615

Standard storage heights of the drawers

FX90.229.090.WDAC

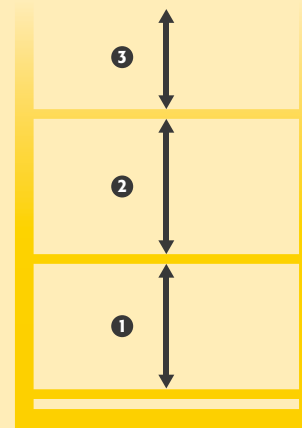
Shelves/number	4	3
Distance ④ (mm)	320	
Distance ③ (mm)	350	420
Distance ② (mm)	350	450
Distance ① (mm)	290	380

Standard storage heights of the shelves

FX90.229.090.WDAC

Quantity	Type of container	Container size
49	Aerosol cans	400 ml
23	Cans	1 litre
23	Laboratory glass bottles	1 litre
23	Laboratory PE-bottles	1 litre
9	Laboratory glass bottles	2.5 litres

Storage capacities per drawer/type of container



FX-SLX



Safe and approved storage of flammable liquids and further hazardous substances

Function / construction:

Cabinet body

- **robust construction and longevity:** triple hinged door, safety elements assembled outside the storage compartment for increased protection against corrosion, scratch- and impact-resistant surface, easy to clean
- **user-friendly and safe:** door open arrest system (standard), convenient and safe removal or storage of containers
- **always closed:** serial automatic door closing (TSA) releases arrested door after approx. 60 seconds; acoustic and visual signal before closing
- **no unauthorised use:** door lockable with cylinder locking (integration in an existing locking system possible) and locking state indicator (red/green)

- **easy transport:** integrated transport base with removable, optional base cover
- **easy alignment:** adjusting aids to compensate for uneven floor

Recirculating air filter system

- ideal for the direct installation in working areas – very low noise, only approx. 39 dB (A)
- with multi-stage wideband filter
- VDE approved monitoring electronics (extraction and filter monitoring) incl. cool-device cable
- optical and acoustical alarm including potential-free alarm contact
- display with innovative touch panel
- ATEX compliant: **CE** II 3/-G Ex ic nA IIB T4 Gc

Recirculating air filter storage cabinet

FX-PEGASUS-90 model FX90.229.060.WDAC

Body colour Anthracite grey (RAL 7016), with wing door in Traffic red (RAL 3020), interior equipment with 3 x shelf, 1 x perforated insert, 1 x bottom collecting sump (sheet steel powder-coated)

Order No. 32915-046-33600

(base cover optional)



Manual test device

Easy monitoring of the filter saturation when storing inorganic substances



Easy operation

Monitoring electronics with state-of-the-art 4.7" graphic display incl. touch panel, displays all essential monitoring-details



Metal-free interior equipment

Ideal for the storage of flammable, aggressive hazardous substances. Tray shelves with chemical resistant surface lamination and removable plastic sump, bottom collecting plastic sump.



Reusable filter system

Multistage, high-capacity and robust broad band-pass filter, environmentally friendly due to long service lifetimes and filter recycling

Available equipment

- shelves with load capacity of 75 kg
- tray shelves with load capacity of 150 kg
- perforated insert useable as storage area
- bottom collecting sump
- drawers – high storage capacity, optimal use of the available storage capacities
- drawers heavy-duty with load capacity of 100 kg
- metal-free tray shelves and collecting sumps
- storage box
- sump inliner (PE or PP)





Recirculating air filter storage cabinet

FX-PEGASUS-90 model FX90.229.060.WDAC

Body colour Anthracite grey (RAL 7016), with wing door in Warning yellow (RAL 1004), interior equipment with 4 x drawer (sheet steel powder-coated)

Order No. 32915-040-33608

(base cover optional)

Recirculating air filter storage cabinet

FX-PEGASUS-90 model FX90.229.060.WDAC

Body colour Anthracite grey (RAL 7016), with wing door in Light grey (RAL 7035), interior equipment with 6 x drawer (sheet steel powder-coated)

Order No. 32915-041-33610

(base cover optional)

3 door colours are available at no extra cost:



040 041 046

AVAILABLE from the first quarter of 2016

Order example - how to order correctly



32915 - 040 - 33608

Model	Information / equipment	Order No.
FX90.229.060.WDAC	without interior equipment, left hinged	32915
FX90.229.060.WDACR	without interior equipment, right hinged	32920

Body colour	Door colour	Order No.
Anthracite grey RAL 7016	Warning yellow RAL 1004	040
Anthracite grey RAL 7016	Light grey RAL 7035	041
Anthracite grey RAL 7016	Traffic red RAL 3020	046

Interior equipment packages (can only be ordered in combination with the cabinet)	Material	Order No.
3x shelf, 1x perforated insert, 1x bottom collecting sump (V=22.0L)	sheet steel powder-coated RAL 7035	old code new code
4x shelf, 1x perforated insert, 1x bottom collecting sump (V=22.0L)	sheet steel powder-coated RAL 7035	30077 33602
3x shelf, 1x bottom collecting sump (V=22.0L)	sheet steel powder-coated RAL 7035	30078 33603
4x shelf, 1x bottom collecting sump (V=22.0L)	sheet steel powder-coated RAL 7035	30079 33604
3x tray shelf (V=12.0L), 1x perforated insert, 1x bottom collecting sump (V=33.0L)	sheet steel powder-coated RAL 7035	30080 33606
3x shelf, 1x perforated insert, 1x bottom collecting sump (V=22.0L)	stainless steel	30081 30081
4x shelf, 1x perforated insert, 1x bottom collecting sump (V=22.0L)	stainless steel	30082 30082
3x shelf, 1x bottom collecting sump (V=22.0L)	stainless steel	30083 30083
4x shelf, 1x bottom collecting sump (V=22.0L)	stainless steel	30084 30084
3x tray shelf (V=12.0L), 1x perforated insert, 1x bottom collecting sump (V=33.0L)	stainless steel	30085 30085
3x tray shelf (V=11.0L), 1x bottom collecting sump (V=11.0L)	PP grey	HIGHLIGHT 30086 30086
4x tray shelf (V=11.0L), 1x bottom collecting sump (V=11.0L)	PP grey	HIGHLIGHT 30087 30087
4x drawer (V=5.0L)	sheet steel powder-coated RAL 7035	30088 33608
5x drawer (V=5.0L)	sheet steel powder-coated RAL 7035	30089 33609
6x drawer (V=5.0L)	sheet steel powder-coated RAL 7035	30090 33610
3x drawer (V=5.0L), 1x drawer (disposal) (V=30.0L)	sheet steel powder-coated RAL 7035	30091 33612
4x drawer (V=5.0L), 1x drawer (disposal) (V=30.0L)	sheet steel powder-coated RAL 7035	30092 33613
4x drawer (V=5.0L)	stainless steel	30093 33616
5x drawer (V=5.0L)	stainless steel	30094 33617
6x drawer (V=5.0L)	stainless steel	30095 33618
3x drawer (V=5.0L), 1x drawer (disposal) (V=30.0L)	stainless steel	30096 33619
4x drawer (V=5.0L), 1x drawer (disposal) (V=30.0L)	stainless steel	30097 33620

FX-SLX



Individual configuration of model FX90.229.060.WDAC

Model	Information / equipment	W x D x H (mm)	Order No.
FX90.229.060.WDAC	without interior equipment, left hinged	599 x 615 x 2294	32915
FX90.229.060.WDACR	without interior equipment, right hinged	599 x 615 x 2294	32920

Body colour	Door colour	Order No.
Anthracite grey RAL 7016	Traffic red RAL 3020	046
Anthracite grey RAL 7016	Warning yellow RAL 1004	040
Anthracite grey RAL 7016	Light grey RAL 7035	041

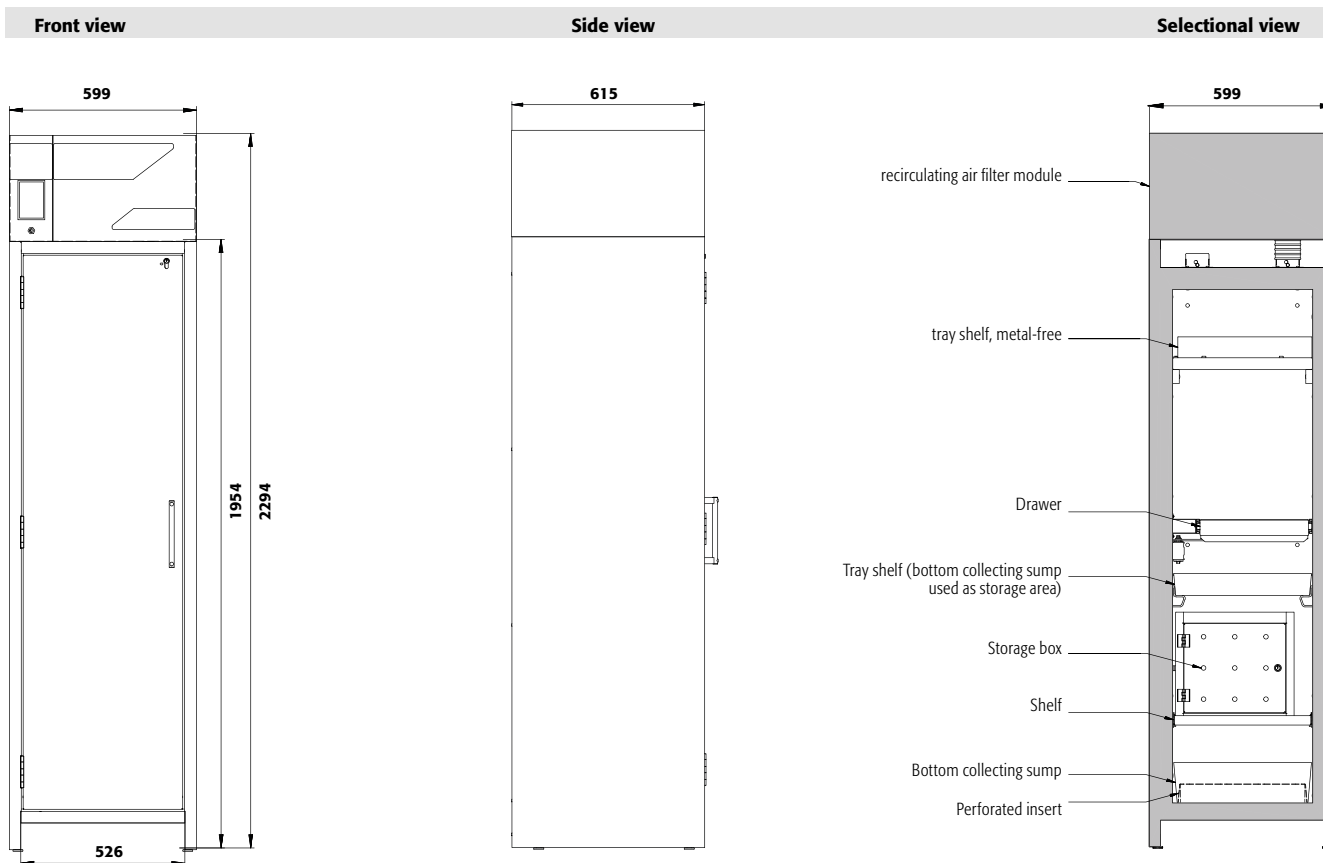
Interior equipment	Material	W x D x H (mm)	1)	2)	3)	Order No.
						old code new code
	shelf	sheet steel powder-coated RAL 7035	440 x 432 x 30*	75.00		30098 30098
		stainless steel	440 x 432 x 30*	75.00		30102 30102
	tray shelf	sheet steel powder-coated RAL 7035	427 x 442 x 70*	150.00	12.00 10.91	30099 30099
		stainless steel	427 x 442 x 70*	150.00	12.00 10.91	30103 30103
	tray shelf, metal-free	PP grey	424 x 472 x 67*	50.00	13.00 11.82	30106 30106
	perforated insert	sheet steel powder-coated RAL 7035	420 x 439 x 60	75.00		5555 5555
		stainless steel	425 x 439 x 60	75.00		5776 5776
	bottom collecting sump	sheet steel powder-coated RAL 7035	442 x 507 x 127		22.00 20.00	30100 33594
		stainless steel	418 x 433 x 120*		22.00 20.00	30104 30104
	bottom collecting sump, height = 180 mm	sheet steel powder-coated RAL 7035	409 x 474 x 171*		33.00 30.00	30101 33605
	bottom collecting sump, height = 170 mm	stainless steel	439 x 454 x 170*		33.00 30.00	30105 30105
	bottom collecting sump, metal-free	PP grey	422 x 472 x 67*		12.50 11.36	25424 25424
	drawer	sheet steel powder-coated RAL 7035	345 x 500 x 50*	25.00	5.00 4.55	30108 33607
		stainless steel	345 x 500 x 50*	25.00	5.00 4.55	30110 33614
	drawer (disposal)	sheet steel powder-coated RAL 7035	329 x 462 x 200*	50.00	30.00	30109 30109
		stainless steel	329 x 462 x 150*	50.00	30.00	30111 30111
	storage box, left hinged	sheet steel powder-coated RAL 7035	380 x 420 x 360			30029 30029
	storage box, right hinged	sheet steel powder-coated RAL 7035	380 x 420 x 360			30030 30030
	sump inliner, for drawer disposal	PP grey	318 x 449 x 66*			18472 18472
	sump inliner	PP grey	353 x 406 x 88*			9706 9706
	sump inliner, for drawer disposal	PP black	313 x 413 x 171*			18474 18474
	anti-slip rubber mat, for drawer disposal	black	495 x 340 x 1			8719 8719
	pipe lead-through	sheet steel powder-coated RAL 7035	182 x 104 x 48			30035 30035
	base cover	sheet steel powder-coated textured RAL 7016	524 x 35 x 85			30112 30112
	Q-mover, 2 pieces	steel powder-coated textured RAL 7016	600 x 140 x 130	450.00		30037 30037
	box for chemicals	PP blue	410 x 300 x 260		18.00 16.36	30038 30038
	document holder, DIN A5	polystyrene				30793 30793

* usable storage space W x D (mm)

1) load capacity (kg), 2) retention capacity (ltr), 3) maximum container volume in the cabinet (ltr)

Activated carbon replacement filter
with multistage filter system
Order No. 32951





Technical data

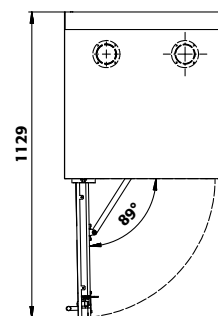
External dimensions W x D x H	mm	599 x 615 x 2294
Internal dimensions W x D x H	mm	450 x 522 x 1647
Weight without interior equip.	kg	287
Distributed load	kg/m ²	915
Maximum load	kg	600
Frequency	Hz	50
Nominal voltage	V	230
Max. current consumption	A	0.5
Power consump. in operation	W	120
Power consump. in standby mode	W	50

Transport base

Entry height transport base	mm	90
Entry width transport base	mm	526

FX90.229.060.WDAC

Top view



FX-SLX

FX90.229.060.WDAC

TIG#002#

	9	8	7	6	5	4+1	4	3+1	3	2
Distance ⑨ (mm)	145									
Distance ⑧ (mm)	135	145								
Distance ⑦ (mm)	135	170	180							
Distance ⑥ (mm)	135	170	200	240						
Distance ⑤ (mm)	135	170	200	230	240	145				
Distance ④ (mm)	135	170	200	230	295	230	340	275		
Distance ③ (mm)	135	170	200	230	295	230	360	295	435	
Distance ② (mm)	170	170	200	230	295	230	360	295	520	880
Distance ① (mm)	200	200	200	230	295	475	390	475	520	615

Standard storage heights of the drawers

FX90.229.060.WDAC

Shelves/number

	4	3
Distance ④ (mm)	320	
Distance ③ (mm)	350	420
Distance ② (mm)	350	450
Distance ① (mm)	290	380

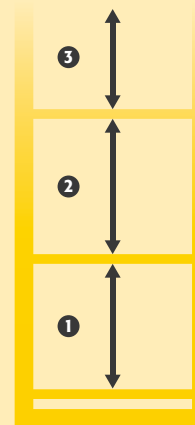
Standard storage heights of the shelves

FX90.229.060.WDAC

Quantity

Quantity	Type of container	Container size
30	Aerosol cans	400 ml
12	Cans	1 litre
12	Laboratory glass bottles	1 litre
12	Laboratory PE-bottles	1 litre
6	Laboratory glass bottles	2.5 litres

Storage capacities per drawer/type of container





WolfLabs

Pricing on any accessories shown can be found by keying the part number into the search box on our website.

The specifications listed in this brochure are subject to change by the manufacturer and therefore cannot be guaranteed to be correct. If there are aspects of the specification that must be guaranteed, please provide these to our sales team so that details can be confirmed.

www.wolflabs.co.uk

Tel : 01759 301142

Fax : 01759 301143

sales@wolflabs.co.uk

Please contact us if this literature doesn't answer all your questions.